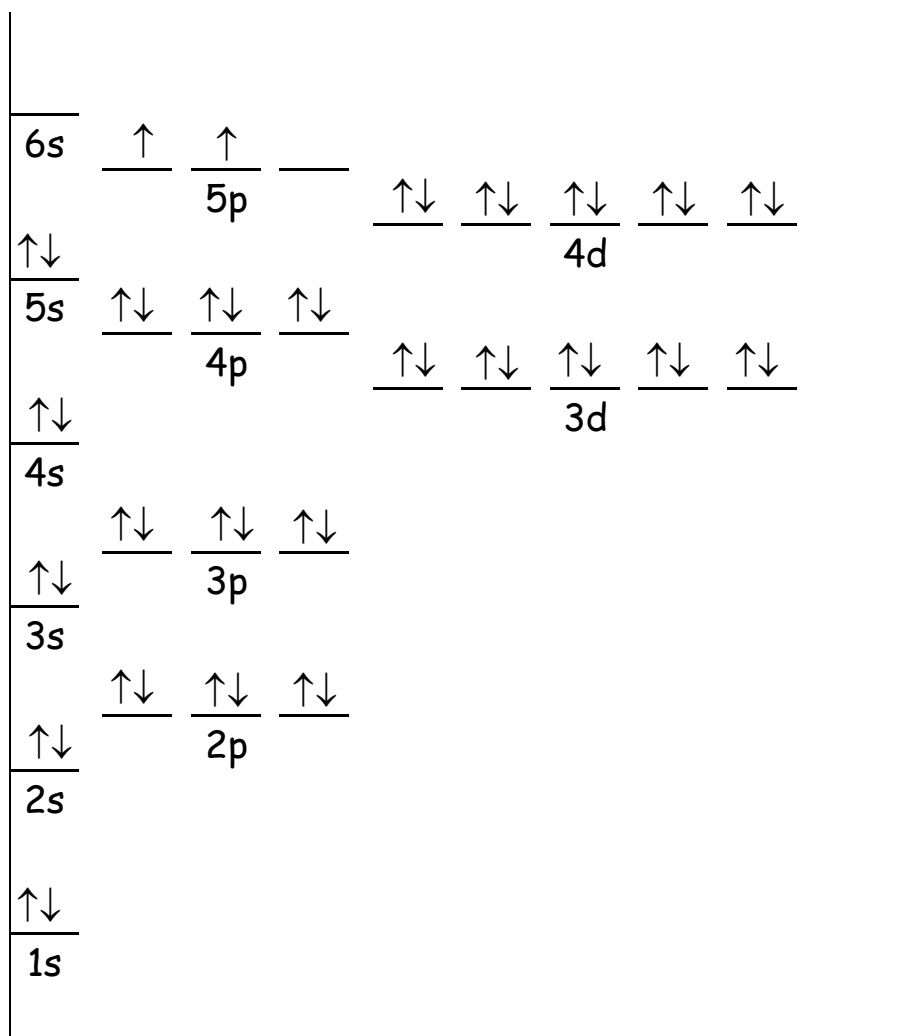


Energy Level Diagram

Tin (Sn)



Electronic Configuration: $1s^2 2s^2 2p^6 3s^2 3p^6 4s^2 3d^{10} 4p^6 5s^2 4d^{10} 5p^2$

Energy Level Population: 2,8,18,18,4